

Control Bit Settings

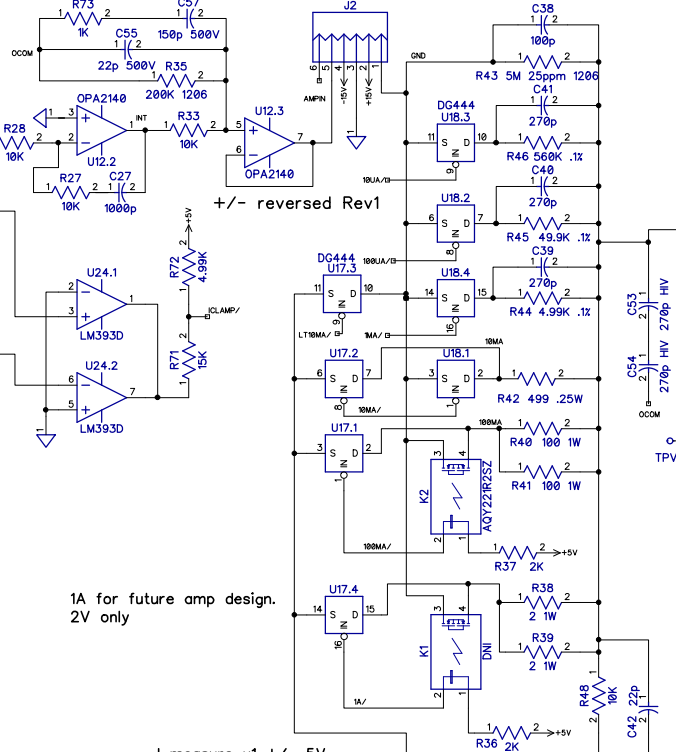
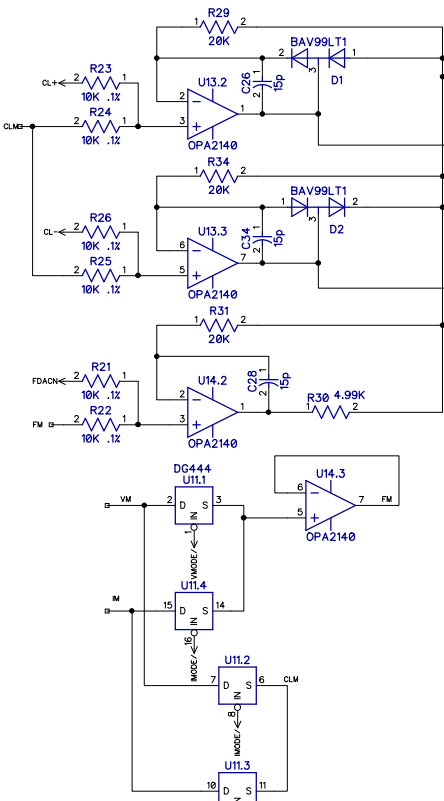
Irange	76543210 MSBs
1uA	x011 1111 0x3F
10uA	x011 1110 0x3E
100uA	x011 1101 0x3D
1mA	x011 1011 0x3B
10mA	x111 0111 0x77
100mA	x110 1111 0x6F
1A (not used)	x101 1111 0x5F
Vrange	76543210 LSB
1.5V	10xx xxxx
15V	01xx xxxx
150V	11xx xxxx
Mode	76543210 LSB
FVMI	xxxx xx01
FIMV	xxxx xx10
Relays	76543210 LSB
REM. SENSE	xxxx x1xx
ON	xxxx 1xxx

DIY SMU

Dave Erickson, Erickson Engineering

Size	Main Board Controls	Rev
B		r2
Date	11/24/2020	Drawn by
Filename		Sheet 1/2

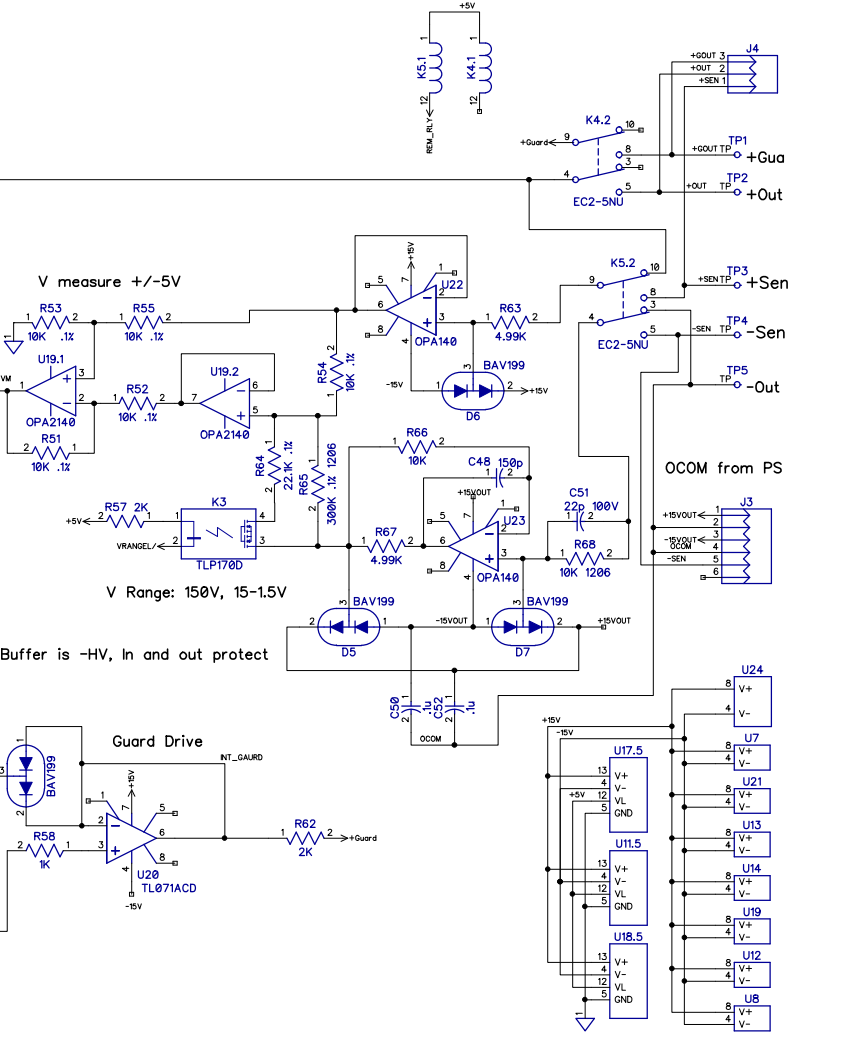
V/I Error, Crossover, Integrator



1A for future amp design. 2V only

I measure x1 +/- 5V

RevNo	Revision note	Date	Signature	Checked
-------	---------------	------	-----------	---------



V measure +/- 5V

V Range: 150V, 15-15V

Buffer is -HV, In and out protect

Guard Drive

OCOM from PS

DIY SMU		
Dave Erickson, Erickson Engineering		
Size	Main Board	Rev
B		r2
Date	11/24/2020	Drawn by
Filename		Sheet 2/2